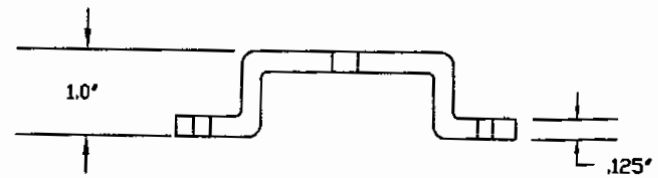
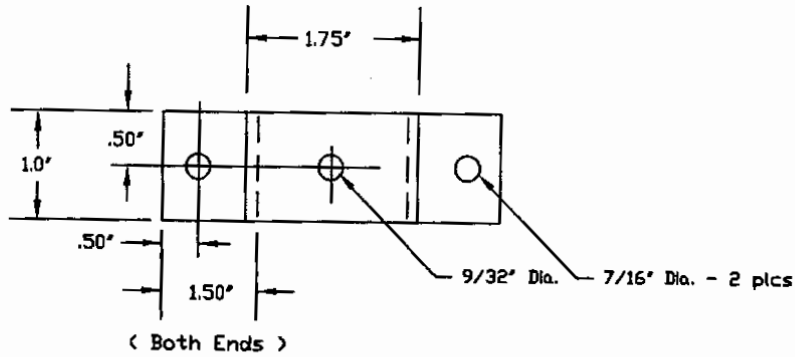


CONTROLLED
DOCUMENT
DATE 02-17-10



DESCRIPTION: .125" X 1.0' 304 Stainless Steel Bar		SCALE: UNLESS OTHERWISE SPECIFIED TOLERANCES ON ANGLES ± 1° DECIMALS .X ± .030"	
CREATED BY: BPZ	DATE: 2/17/10	FIRST USED ON: UM:	NO HOLE DRIVING TO BE DONE UNLESS SPECIFIED OTHERWISE
Finish: Bare	CATEGORY:	SECURITY CLASS:	MILE DIAMETERS ± .005" .XX ± .020"
RESPONSIBLE ENGINEER:	REVISION: RN/CN/SPRN NO:	DATE APPR:	APPROVED BY:
LAST MODIFIED BY:	DATE:	VERSION:	SIZE: B
OBJECT ID: SCBKT-3		FR: V: 0	

THESE DRAWINGS AND SPECIFICATIONS ARE THE PROPERTY OF STORM COPPER AND SHALL NOT BE REPRODUCED OR COPIED OR USED AS THE BASIS FOR MANUFACTURE OR SALE WITHOUT PERMISSION.