

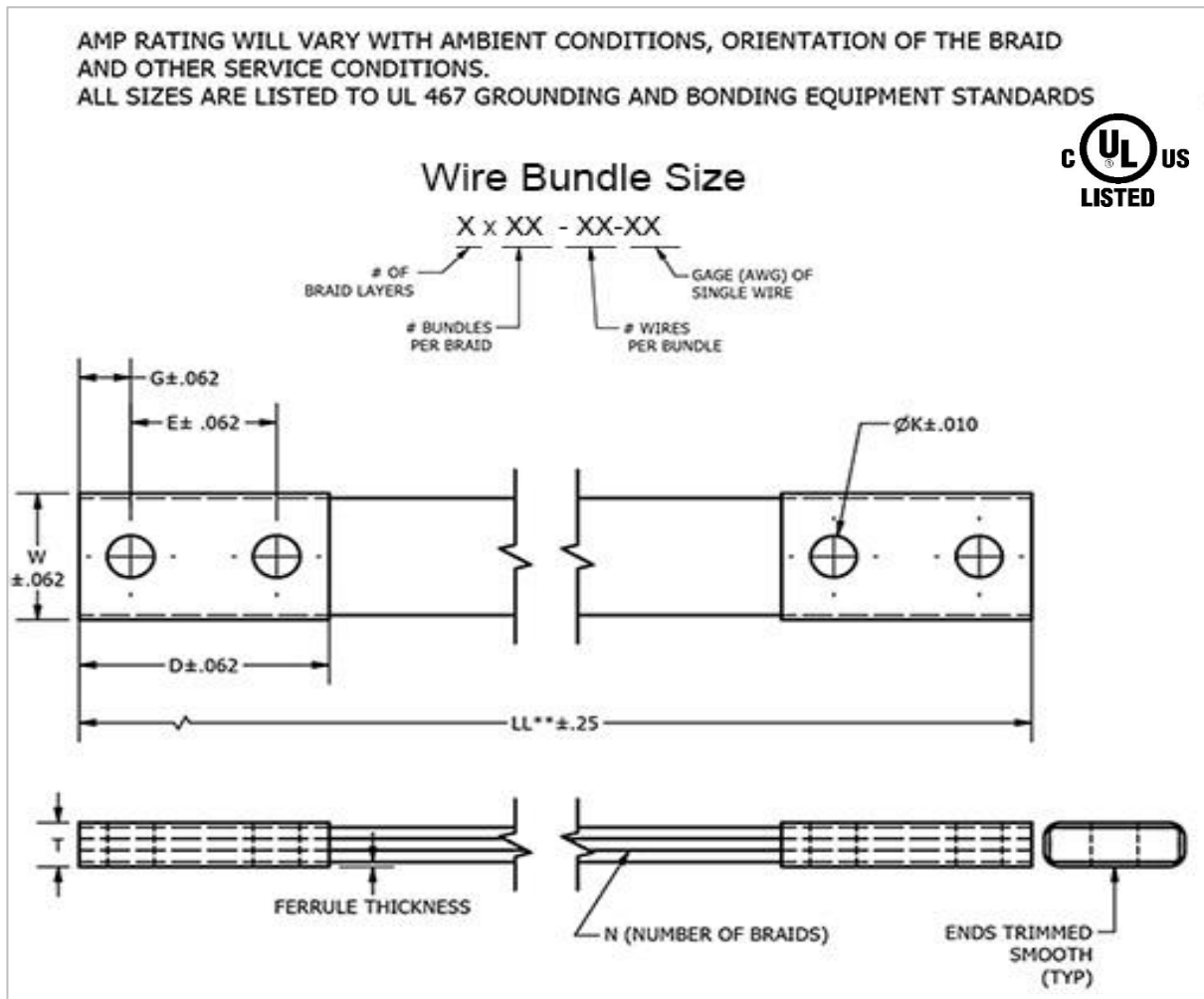


## FLEXBRAID SPECIFICATIONS and PRICING

(Please see illustration below for reference)

Part Number	LL Length	Pad Dimensions			Hole Diameter and Spacing			Price
		W Width	T Thick	D Length	E Spacing	K Dia.	G Edge	
<b>Single Braid:</b>								
<b>190 AMP</b>								
SC-BD12	12	1.190	0.130	2.50	1.000	0.410	0.620	<b>\$41.38</b>
SC-BD12N	12	1.190	0.130	3.00	1.750	0.560	0.620	<b>\$41.38</b>
SC-BD18	18	1.190	0.130	2.50	1.000	0.410	0.620	<b>\$44.03</b>
SC-BD18N	18	1.190	0.130	3.00	1.750	0.560	0.620	<b>\$44.03</b>
SC-BD24	24	1.190	0.130	2.50	1.000	0.410	0.620	<b>\$46.69</b>
SC-BD24N	24	1.190	0.130	3.00	1.750	0.560	0.620	<b>\$46.69</b>
SC-BD36	36	1.190	0.130	2.50	1.000	0.410	0.620	<b>\$51.99</b>
SC-BD36N	36	1.190	0.130	3.00	1.750	0.560	0.620	<b>\$51.99</b>
SC-BD48	48	1.190	0.130	2.50	1.000	0.410	0.620	<b>\$57.30</b>
SC-BD48N	48	1.190	0.130	3.00	1.750	0.560	0.620	<b>\$57.30</b>
<b>Two Braids:</b>								
<b>380 AMP</b>								
SC-B2D12	12	1.190	0.210	2.50	1.000	0.410	0.620	<b>\$50.80</b>
SC-B2D12N	12	1.190	0.210	3.00	1.750	0.560	0.620	<b>\$50.80</b>
SC-B2D18	18	1.190	0.210	2.50	1.000	0.410	0.620	<b>\$56.11</b>
SC-B2D18N	18	1.190	0.210	3.00	1.750	0.560	0.620	<b>\$56.11</b>
SC-B2D24	24	1.190	0.210	2.50	1.000	0.410	0.620	<b>\$61.41</b>
SC-B2D24N	24	1.190	0.210	3.00	1.750	0.560	0.620	<b>\$61.41</b>
SC-B2D36	36	1.190	0.210	2.50	1.000	0.410	0.620	<b>\$72.03</b>
SC-B2D36N	36	1.190	0.210	3.00	1.750	0.560	0.620	<b>\$72.03</b>
SC-B2D48	48	1.190	0.210	2.50	1.000	0.410	0.620	<b>\$82.64</b>
SC-B2D48N	48	1.190	0.210	3.00	1.750	0.560	0.620	<b>\$82.64</b>
<b>Three Braids:</b>								
<b>470 AMP</b>								
SC-B3D12	12	1.190	0.270	2.50	1.000	0.410	0.750	<b>\$56.87</b>
SBCB3D12N	12	1.190	0.270	3.00	1.750	0.560	0.620	<b>\$56.87</b>
SC-B3D18	18	1.190	0.270	2.50	1.000	0.410	0.750	<b>\$64.84</b>
SC-B3D18N	18	1.190	0.270	3.00	1.750	0.560	0.620	<b>\$64.84</b>
SC-B3D24	24	1.190	0.270	2.50	1.000	0.410	0.750	<b>\$72.80</b>
SC-B3D24N	24	1.190	0.270	3.00	1.750	0.560	0.620	<b>\$72.80</b>
SC-B3D36	36	1.190	0.270	2.50	1.000	0.410	0.750	<b>\$88.72</b>
SC-B3D36N	36	1.190	0.270	3.00	1.750	0.560	0.620	<b>\$88.72</b>
SC-B3D48	48	1.190	0.270	2.50	1.000	0.410	0.750	<b>\$104.64</b>
SC-B3D48N	48	1.190	0.270	3.00	1.750	0.560	0.620	<b>\$104.64</b>

Four Braids: 600 AMP								
SC-B4D12	12	1.190	0.390	2.50	1.000	0.410	0.750	\$66.74
SC-B4D12N	12	1.190	0.390	3.00	1.750	0.560	0.620	\$66.74
SC-B4D18	18	1.190	0.390	2.50	1.000	0.410	0.750	\$77.35
SC-B4D18N	18	1.190	0.390	3.00	1.750	0.560	0.620	\$77.35
SC-B4D24	24	1.190	0.390	2.50	1.000	0.410	0.750	\$87.97
SC-B4D24N	24	1.190	0.390	3.00	1.750	0.560	0.620	\$87.97
SC-B4D36	36	1.190	0.390	2.50	1.000	0.410	0.750	\$109.20
SC-B4D36N	36	1.190	0.390	3.00	1.750	0.560	0.620	\$109.20
SC-B4D48	48	1.190	0.390	2.50	1.000	0.410	0.750	\$130.43
SC-B4D48N	48	1.190	0.390	3.00	1.750	0.560	0.620	\$130.43



©2020 Storm Power Components All Rights Reserved 240 Industrial Park Ln Decatur TN 37322



**FLEXBRAID SPECIFICATIONS and PRICING**

*(Please see illustration below for reference)*

Part Number	LL Length	Pad Dimensions			Hole Diameter and Spacing			Price
		W Width	T Thick	D Length	E Spacing	K Dia.	G Edge	
<b>Single Braid: 340 AMP</b>								
SC-BE12	12	1.250	0.210	2.50	1.000	0.410	0.750	<b>\$53.07</b>
SC-BE12N	12	1.250	0.210	3.00	1.750	0.560	0.620	<b>\$53.07</b>
SC-BE18	18	1.250	0.210	2.00	1.000	0.410	0.750	<b>\$57.71</b>
SC-BE18N	18	1.250	0.210	3.00	1.750	0.560	0.620	<b>\$57.71</b>
SC-BE24	24	1.250	0.210	2.50	1.000	0.410	0.750	<b>\$62.36</b>
SC-BE24N	24	1.250	0.210	3.00	1.750	0.560	0.620	<b>\$62.36</b>
SC-BE36	36	1.250	0.210	2.50	1.000	0.410	0.750	<b>\$71.64</b>
SC-BE36N	36	1.250	0.210	3.00	1.750	0.560	0.620	<b>\$71.64</b>
SC-BE48	48	1.250	0.210	2.50	1.000	0.410	0.750	<b>\$80.93</b>
SC-BE48N	48	1.250	0.210	3.00	1.750	0.560	0.620	<b>\$80.93</b>
<b>Two Braids: 530 AMP</b>								
SC-B2E12	12	1.250	0.350	2.50	1.000	0.410	0.750	<b>\$70.53</b>
SC-B2E12N	12	1.250	0.350	3.00	1.750	0.560	0.620	<b>\$70.53</b>
SC-B2E18	18	1.250	0.350	2.50	1.000	0.410	0.750	<b>\$79.82</b>
SC-B2E18N	18	1.250	0.350	3.00	1.750	0.560	0.620	<b>\$79.82</b>
SC-B2E24	24	1.250	0.350	2.50	1.000	0.410	0.750	<b>\$89.11</b>
SC-B2E24N	24	1.250	0.350	3.00	1.750	0.560	0.620	<b>\$89.11</b>
SC-B2E36	36	1.250	0.350	2.50	1.000	0.410	0.750	<b>\$107.69</b>
SC-B2E36N	36	1.250	0.350	3.00	1.750	0.560	0.620	<b>\$107.69</b>
SC-B2E48	48	1.250	0.350	2.50	1.000	0.410	0.750	<b>\$126.26</b>
SC-B2E48N	48	1.250	0.350	3.00	1.750	0.560	0.620	<b>\$126.26</b>
<b>Three Braids: 700 AMP</b>								
SC-B3E12	12	1.250	0.580	2.50	1.000	0.410	0.750	<b>\$86.26</b>
SC-B3E12N	12	1.250	0.580	3.00	1.750	0.560	0.620	<b>\$86.26</b>
SC-B3E18	18	1.250	0.580	2.50	1.000	0.410	0.750	<b>\$100.19</b>
SC-B3E18N	18	1.250	0.580	3.00	1.750	0.560	0.620	<b>\$100.19</b>
SC-B3E24	24	1.250	0.580	2.50	1.000	0.410	0.750	<b>\$114.13</b>
SC-B3E24N	24	1.250	0.580	3.00	1.750	0.560	0.620	<b>\$114.13</b>
SC-B3E36	36	1.250	0.580	2.50	1.000	0.410	0.750	<b>\$141.99</b>
SC-B3E36N	36	1.250	0.580	3.00	1.750	0.560	0.620	<b>\$141.99</b>
SC-B3E48	48	1.250	0.580	2.50	1.000	0.410	0.750	<b>\$169.85</b>
SC-B3E48N	48	1.250	0.580	3.00	1.750	0.560	0.620	<b>\$169.85</b>

Four Braids: 875 AMP								
SC-B4E12	12	1.250	0.800	2.50	1.000	0.410	0.750	\$96.89
SC-B4E12N	12	1.250	0.800	3.00	1.750	0.560	0.620	\$96.89
SC-B4E18	18	1.250	0.800	2.50	1.000	0.410	0.750	\$115.47
SC-B4E18N	18	1.250	0.800	3.00	1.750	0.560	0.620	\$115.47
SC-B4E24	24	1.250	0.800	2.50	1.000	0.410	0.750	\$134.05
SC-B4E24N	24	1.250	0.800	3.00	1.750	0.560	0.620	\$134.05
SC-B4E36	36	1.250	0.800	2.50	1.000	0.410	0.750	\$171.20
SC-B4E36N	36	1.250	0.800	3.00	1.750	0.560	0.620	\$171.20
SC-B4E48	48	1.250	0.800	2.50	1.000	0.410	0.750	\$208.35
SC-B4E48N	48	1.250	0.800	3.00	1.750	0.560	0.620	\$208.35

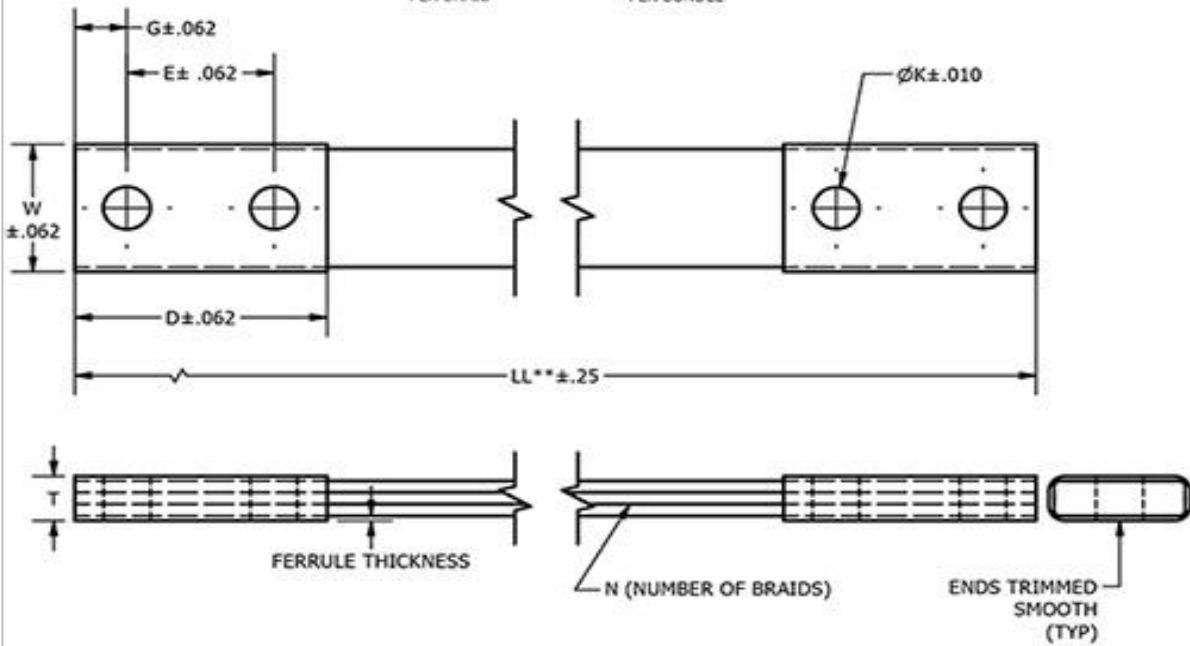
AMP RATING WILL VARY WITH AMBIENT CONDITIONS, ORIENTATION OF THE BRAID AND OTHER SERVICE CONDITIONS.  
ALL SIZES ARE LISTED TO UL 467 GROUNDING AND BONDING EQUIPMENT STANDARDS



### Wire Bundle Size

X x XX - XX-XX

# OF BRAID LAYERS  
# BUNDLES PER BRAID  
# WIRES PER BUNDLE  
GAGE (AWG) OF SINGLE WIRE



©2020 Storm Power Components All Rights Reserved 240 Industrial Park Ln Decatur TN 37322



**FLEXBRAID SPECIFICATIONS and PRICING**

*(Please see illustration below for reference)*

Part Number	LL Length	Pad Dimensions			Hole Diameter and Spacing			Price
		W Width	T Thick	D Length	E Spacing	K Dia.	G Edge	
<b>Single Braid:</b>								
<b>375 AMP</b>								
SC-BF12	12	1.380	0.280	2.50	1.000	0.410	0.750	<b>\$57.02</b>
SC-BF12N	12	1.380	0.280	3.00	1.750	0.560	0.620	<b>\$57.02</b>
SC-BF18	18	1.380	0.280	2.50	1.000	0.410	0.750	<b>\$63.43</b>
SC-BF18N	18	1.380	0.280	3.00	1.750	0.560	0.620	<b>\$63.43</b>
SC-BF24	24	1.380	0.280	2.50	1.000	0.410	0.750	<b>\$69.84</b>
SC-BF24N	24	1.380	0.280	3.00	1.750	0.560	0.620	<b>\$69.84</b>
SC-BF36	36	1.380	0.280	2.50	1.000	0.410	0.750	<b>\$82.67</b>
SC-BF36N	36	1.380	0.280	3.00	1.750	0.560	0.620	<b>\$82.67</b>
SC-BF48	48	1.380	0.280	2.50	1.000	0.410	0.750	<b>\$95.50</b>
SC-BF48N	48	1.380	0.280	3.00	1.750	0.560	0.620	<b>\$95.50</b>
<b>Two Braids:</b>								
<b>600 AMP</b>								
SC-B2F12	12	1.380	0.350	2.50	1.000	0.410	0.750	<b>\$78.43</b>
SC-B2F12N	12	1.380	0.380	3.00	1.750	0.560	0.620	<b>\$78.43</b>
SC-B2F18	18	1.380	0.350	2.50	1.000	0.410	0.750	<b>\$91.26</b>
SC-B2F18N	18	1.380	0.380	3.00	1.750	0.560	0.620	<b>\$91.26</b>
SC-B2F24	24	1.380	0.350	2.50	1.000	0.410	0.750	<b>\$104.09</b>
SC-B2F24N	24	1.380	0.380	3.00	1.750	0.560	0.620	<b>\$104.09</b>
SC-B2F36	36	1.380	0.350	2.50	1.000	0.410	0.750	<b>\$129.74</b>
SC-B2F36N	36	1.380	0.380	3.00	1.750	0.560	0.620	<b>\$129.74</b>
SC-B2F48	48	1.380	0.350	2.50	1.000	0.410	0.750	<b>\$155.39</b>
SC-B2F48N	48	1.380	0.380	3.00	1.750	0.560	0.620	<b>\$155.39</b>
<b>Three Braids:</b>								
<b>900 AMP</b>								
SC-B3F12	12	1.380	0.590	2.50	1.000	0.410	0.750	<b>\$93.01</b>
SC-B3F12N	12	1.380	0.590	3.00	1.750	0.560	0.620	<b>\$93.01</b>
SC-B3F18	18	1.380	0.590	2.50	1.000	0.410	0.750	<b>\$112.25</b>
SC-B3F18N	18	1.380	0.590	3.00	1.750	0.560	0.620	<b>\$112.25</b>
SC-B3F24	24	1.380	0.590	2.50	1.000	0.410	0.750	<b>\$131.49</b>
SC-B3F24N	24	1.380	0.590	3.00	1.750	0.560	0.620	<b>\$131.49</b>
SC-B3F36	36	1.380	0.590	2.50	1.000	0.410	0.750	<b>\$169.97</b>
SC-B3F36N	36	1.380	0.590	3.00	1.750	0.560	0.620	<b>\$169.97</b>
SC-B3F48	48	1.380	0.590	2.50	1.000	0.410	0.750	<b>\$208.45</b>
SC-B3F48N	48	1.380	0.590	3.00	1.750	0.560	0.620	<b>\$208.45</b>

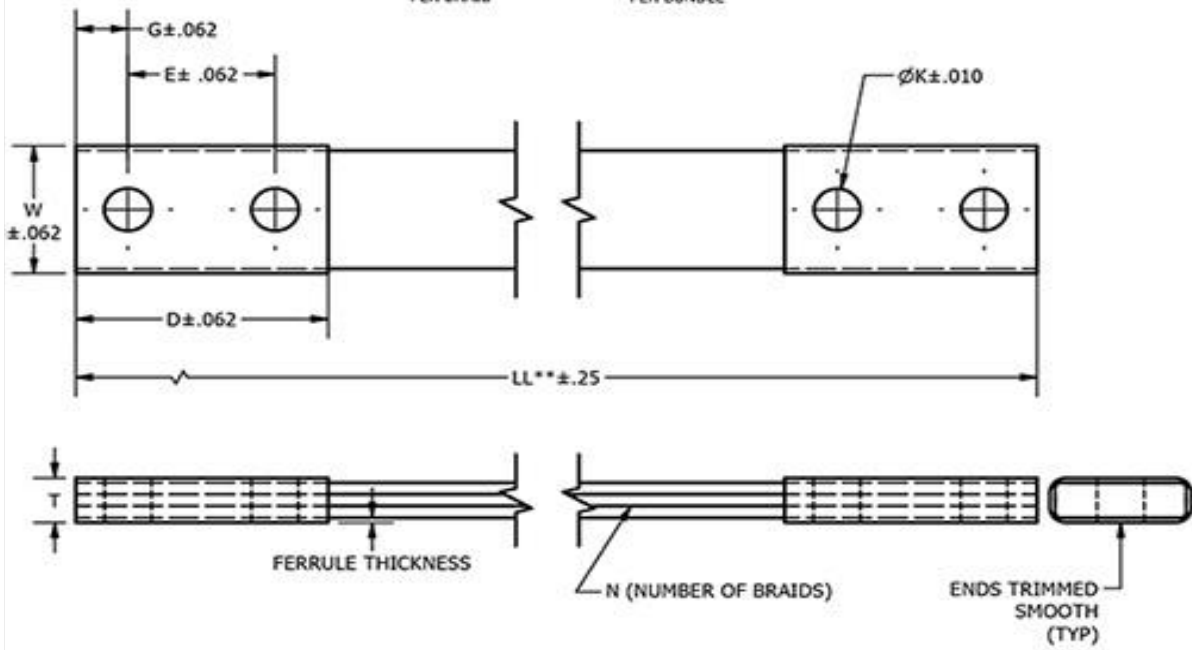
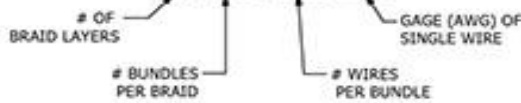
Four Braids: 1000 AMP								
SC-B4F12	12	1.380	0.870	2.50	1.000	0.410	0.750	\$112.69
SC-B4F12N	12	1.380	0.870	3.00	1.750	0.560	0.620	\$112.69
SC-B4F18	18	1.380	0.870	2.50	1.000	0.410	0.750	\$138.34
SC-B4F18N	18	1.380	0.870	3.00	1.750	0.560	0.620	\$138.34
SC-B4F24	24	1.380	0.870	2.50	1.000	0.410	0.750	\$164.00
SC-B4F24N	24	1.380	0.870	3.00	1.750	0.560	0.620	\$164.00
SC-B4F36	36	1.380	0.870	2.50	1.000	0.410	0.750	\$215.30
SC-B4F36N	36	1.380	0.870	3.00	1.750	0.560	0.620	\$215.30
SC-B4F48	48	1.380	0.870	2.50	1.000	0.410	0.750	\$266.61
SC-B4F48N	48	1.380	0.870	3.00	1.750	0.560	0.620	\$266.61

AMP RATING WILL VARY WITH AMBIENT CONDITIONS, ORIENTATION OF THE BRAID AND OTHER SERVICE CONDITIONS.  
ALL SIZES ARE LISTED TO UL 467 GROUNDING AND BONDING EQUIPMENT STANDARDS



### Wire Bundle Size

X x XX - XX-XX



©2020 Storm Power Components All Rights Reserved 240 Industrial Park Ln Decatur TN 37322



**FLEXBRAID SPECIFICATIONS and PRICING**

*(Please see illustration below for reference)*

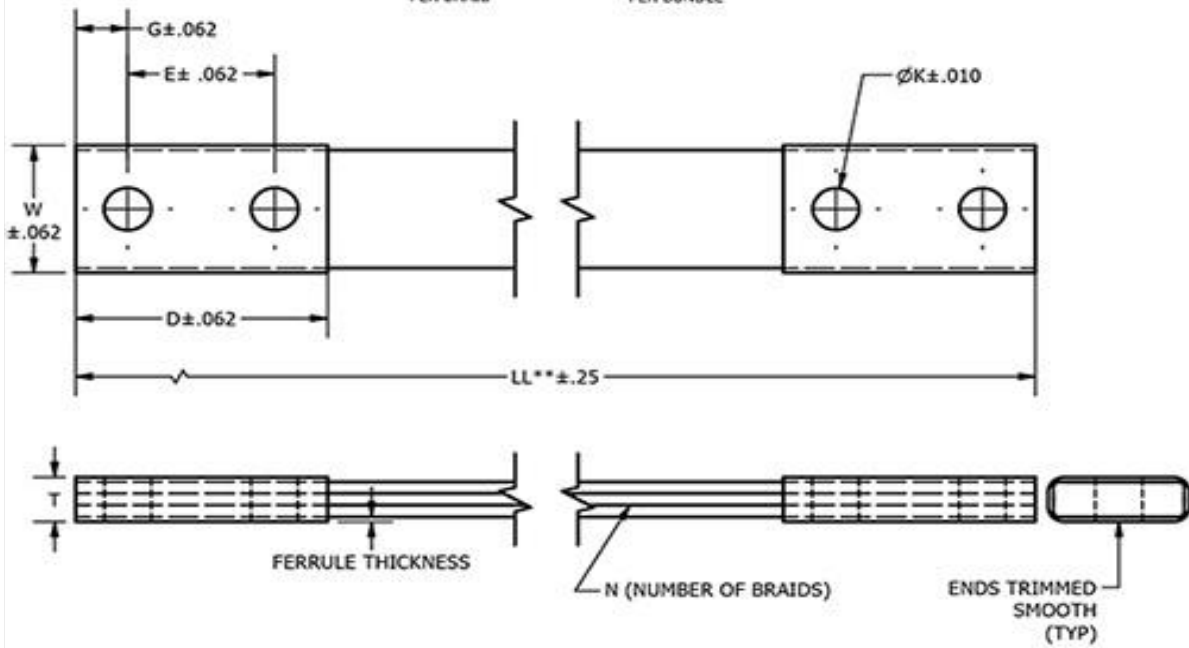
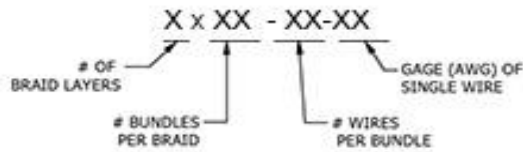
Part Number	LL Length	Pad Dimensions			Hole Diameter and Spacing			Price
		W Width	T Thick	D Length	E Spacing	K Dia.	G Edge	
<b>Single Braid:</b>								
<b>510 AMP</b>								
SC-BG12	12	1.630	0.364	2.50	1.000	0.410	0.750	<b>\$70.53</b>
SC-BG12N	12	1.630	0.364	3.00	1.750	0.560	0.620	<b>\$70.53</b>
SC-BG18	18	1.630	0.364	2.50	1.000	0.410	0.750	<b>\$79.93</b>
SC-BG18N	18	1.630	0.364	3.00	1.750	0.560	0.620	<b>\$79.93</b>
SC-BG24	24	1.630	0.364	2.50	1.000	0.410	0.750	<b>\$89.33</b>
SC-BG24N	24	1.630	0.364	3.00	1.750	0.560	0.620	<b>\$89.33</b>
SC-BG36	36	1.630	0.364	2.50	1.000	0.410	0.750	<b>\$108.13</b>
SC-BG36N	36	1.630	0.364	3.00	1.750	0.560	0.620	<b>\$108.13</b>
SC-BG48	48	1.630	0.364	2.50	1.000	0.410	0.750	<b>\$126.93</b>
SC-BG48N	48	1.630	0.364	3.00	1.750	0.560	0.620	<b>\$126.93</b>
<b>Two Braids:</b>								
<b>875 AMP</b>								
SC-B2G12	12	1.630	0.500	2.50	1.000	0.410	0.750	<b>\$91.80</b>
SC-B2G12N	12	1.630	0.500	3.00	1.750	0.560	0.620	<b>\$91.80</b>
SC-B2G18	18	1.630	0.500	2.50	1.000	0.410	0.750	<b>\$110.60</b>
SC-B2G18N	18	1.630	0.500	3.00	1.750	0.560	0.620	<b>\$110.60</b>
SC-B2G24	24	1.630	0.500	2.50	1.000	0.410	0.750	<b>\$129.39</b>
SC-B2G24N	24	1.630	0.500	3.00	1.750	0.560	0.620	<b>\$129.39</b>
SC-B2G36	36	1.630	0.500	2.50	1.000	0.410	0.750	<b>\$166.99</b>
SC-B2G36N	36	1.630	0.500	3.00	1.750	0.560	0.620	<b>\$166.99</b>
SC-B2G48	48	1.630	0.500	2.50	1.000	0.410	0.750	<b>\$204.58</b>
SC-B2G48N	48	1.630	0.500	3.00	1.750	0.560	0.620	<b>\$204.58</b>
<b>Three Braids:</b>								
<b>1000 AMP</b>								
SC-B3G12	12	1.630	0.690	2.50	1.000	0.410	0.750	<b>\$113.06</b>
SC-B3G12N	12	1.630	0.690	3.00	1.750	0.560	0.620	<b>\$113.06</b>
SC-B3G18	18	1.630	0.690	2.50	1.000	0.410	0.750	<b>\$141.26</b>
SC-B3G18N	18	1.630	0.690	3.00	1.750	0.560	0.620	<b>\$141.26</b>
SC-B3G24	24	1.630	0.690	2.50	1.000	0.410	0.750	<b>\$169.45</b>
SC-B3G24N	24	1.630	0.690	3.00	1.750	0.560	0.620	<b>\$169.45</b>
SC-B3G36	36	1.630	0.690	2.50	1.000	0.410	0.750	<b>\$225.85</b>
SC-B3G36N	36	1.630	0.690	3.00	1.750	0.560	0.620	<b>\$225.05</b>
SC-B3G48	48	1.630	0.690	2.50	1.000	0.410	0.750	<b>\$282.24</b>
SC-B3G48N	48	1.630	0.690	3.00	1.750	0.560	0.620	<b>\$282.24</b>

Four Braids: 1200 AMP								
SC-B4G12	12	1.630	1.000	2.50	1.000	0.410	0.750	\$139.42
SC-B4G12N	12	1.630	1.000	3.00	1.750	0.560	0.620	\$139.42
SC-B4G18	18	1.630	1.000	2.50	1.000	0.410	0.750	\$177.02
SC-B4G18N	18	1.630	1.000	3.00	1.750	0.560	0.620	\$177.02
SC-B4G24	24	1.630	1.000	2.50	1.000	0.410	0.750	\$214.61
SC-B4G24N	24	1.630	1.000	3.00	1.750	0.560	0.620	\$214.61
SC-B4G36	36	1.630	1.000	2.50	1.000	0.410	0.750	\$289.80
SC-B4G36N	36	1.630	1.000	3.00	1.750	0.560	0.620	\$289.80
SC-B4G48	48	1.630	1.000	2.50	1.000	0.410	0.750	\$364.99
SC-B4G48N	48	1.630	1.000	3.00	1.750	0.560	0.620	\$364.99

AMP RATING WILL VARY WITH AMBIENT CONDITIONS, ORIENTATION OF THE BRAID AND OTHER SERVICE CONDITIONS.  
ALL SIZES ARE LISTED TO UL 467 GROUNDING AND BONDING EQUIPMENT STANDARDS



### Wire Bundle Size



©2020 Storm Power Components All Rights Reserved 240 Industrial Park Ln Decatur TN 37322